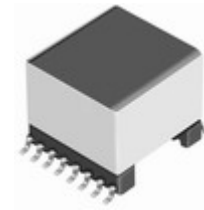
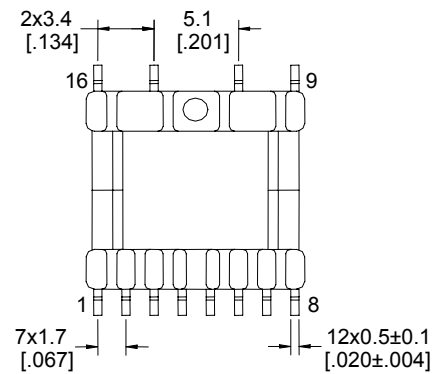
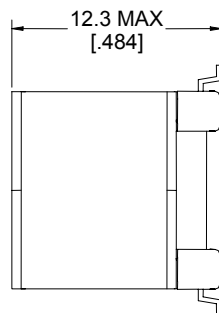
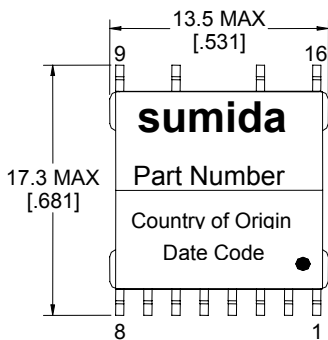
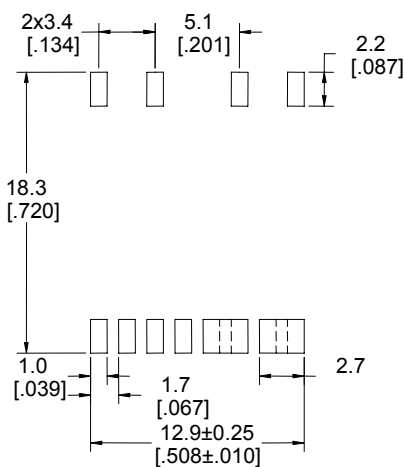
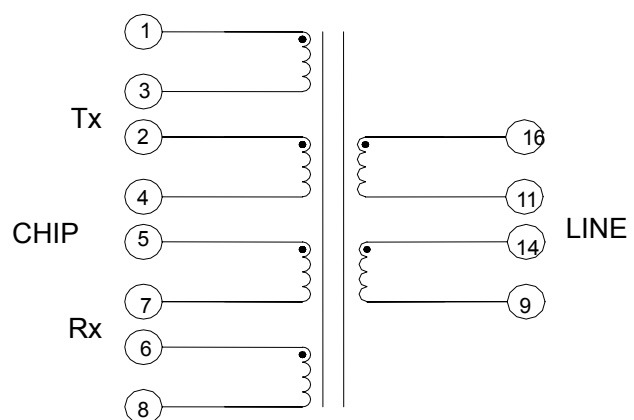


Type: CEP1311C
◆ Product Description

- 17.3 × 13.5 mm Max. (L × W), 12.3 mm Max. Height.


◆ Feature

- xDSL line transformer.
- Ideally used in ADSL Customer Premises Equipment and splitter.
- Approved by Conexant and Broadcom.
- RoHS Compliance.

◆ Dimensions (mm)

◆ Land Pattern (mm)

◆ Schematics (Bottom)


Type: CEP1311C
◆ Specification

Part No.	Inductance (nom. μ H)	Turns ratio	THD (dB) (TYP.)	Insulation	Application
C10113A	700	3.95:2.04:1	-86.0 (20K,5.3V)	Supplementary	ADSL CPE
C10125	400	4.25:4.25:1	-82 (25K,3.9V)	Functional	ADSL CPE
C10129B	700	3.95:2.04:1	-85 (20K,3.3V)	Supplementary	ADSL CPE
C10134	700	4:2:1	-93 (30K,5.3V)	Supplementary	ADSL CPE
C10156	700	4.6:2.04:1	-92 (20K,5.3V)	Supplementary	ADSL CPE
C10172	700	4:2:1	-92 (30K,5.3V)	Supplementary	ADSL CPE
C10175	700	3.95:2:1	-86.0 (20K,5.3V)	Supplementary	ADSL CPE
C10180	1400	3.8:2:1	-98.0 (30K,3.3V)	Supplementary	ADSL CPE
C10201	400	4.25:4.25:1	-83 (25K,3.9V)	Supplementary	ADSL CPE
C10202	100	4.25:4.25:1	-87 (85K,2.0V)	Supplementary	ADSL CPE